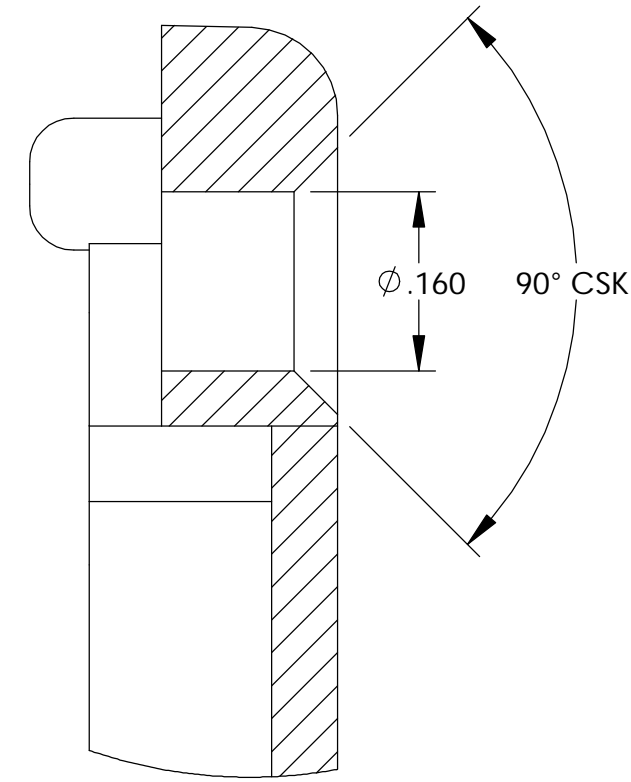
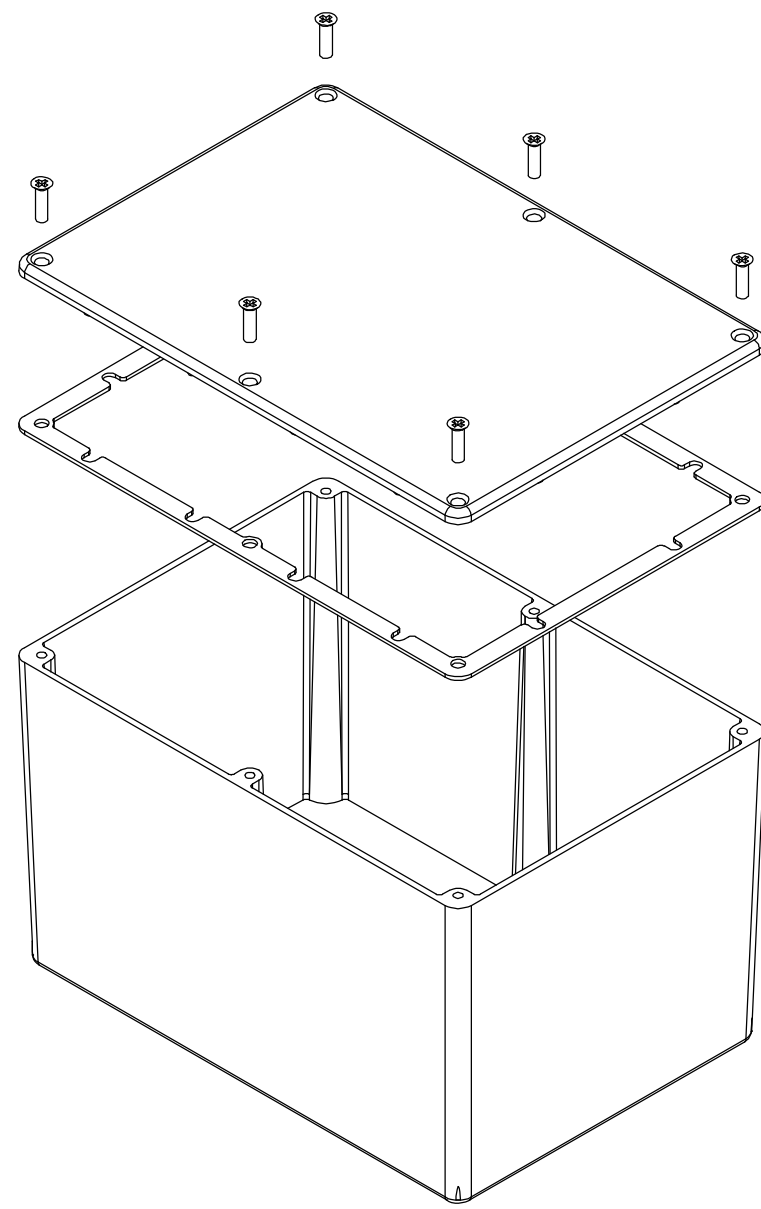


THE INFORMATION CONTAINED IN THIS DRAWING IS THE SOLE PROPERTY OF BUD INDUSTRIES INC. ANY REPRODUCTION IN PART OR WHOLE WITHOUT THE WRITTEN PERMISSION OF BUD INDUSTRIES INC. IS PROHIBITED.

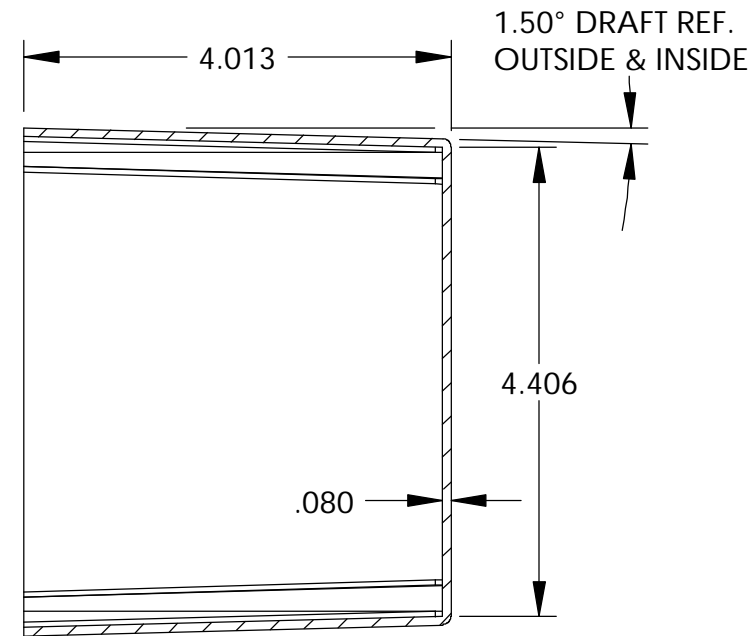
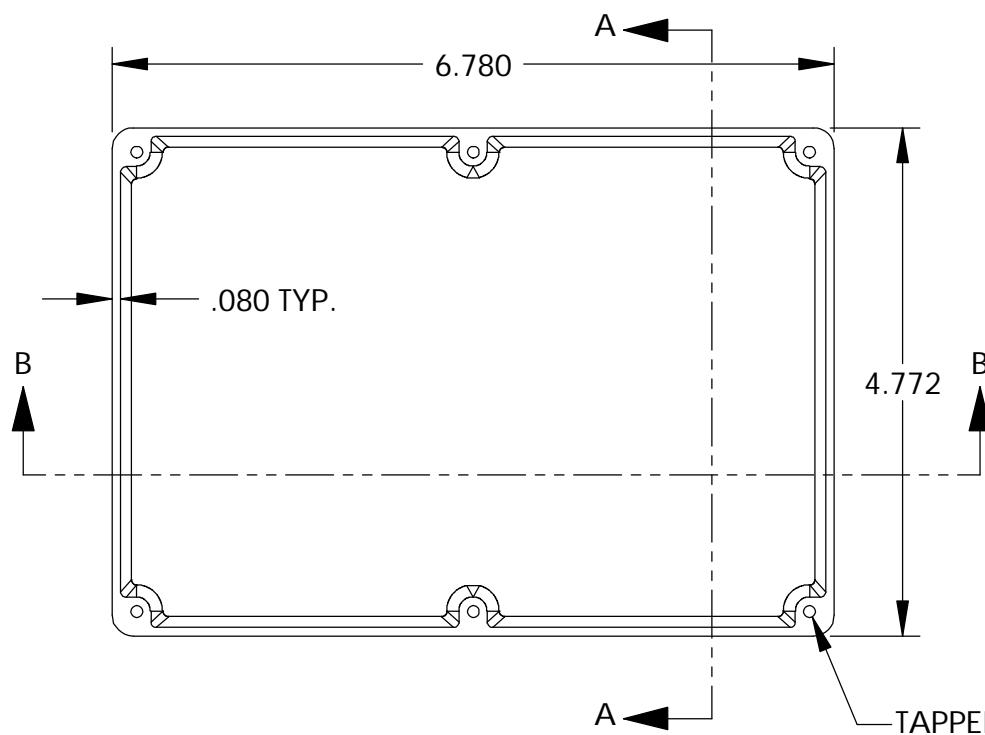
DWG. NO.	CN-5710
ISSUE	REVISIONS

MATERIAL - ALUMINUM ALLOY #ADC-12
 FINISH - NATURAL (CONTACT BUD FACTORY FOR ALTERNATE FINISHES)
 GASKET - RATED IP65 NEOPRENE, SELF-ADHESIVE, 3mm THICK, COLOR BLACK
 SCREWS - STAINLESS STEEL, M3.5 x 12mm LG., CSK. HEAD, SELF-THREADING

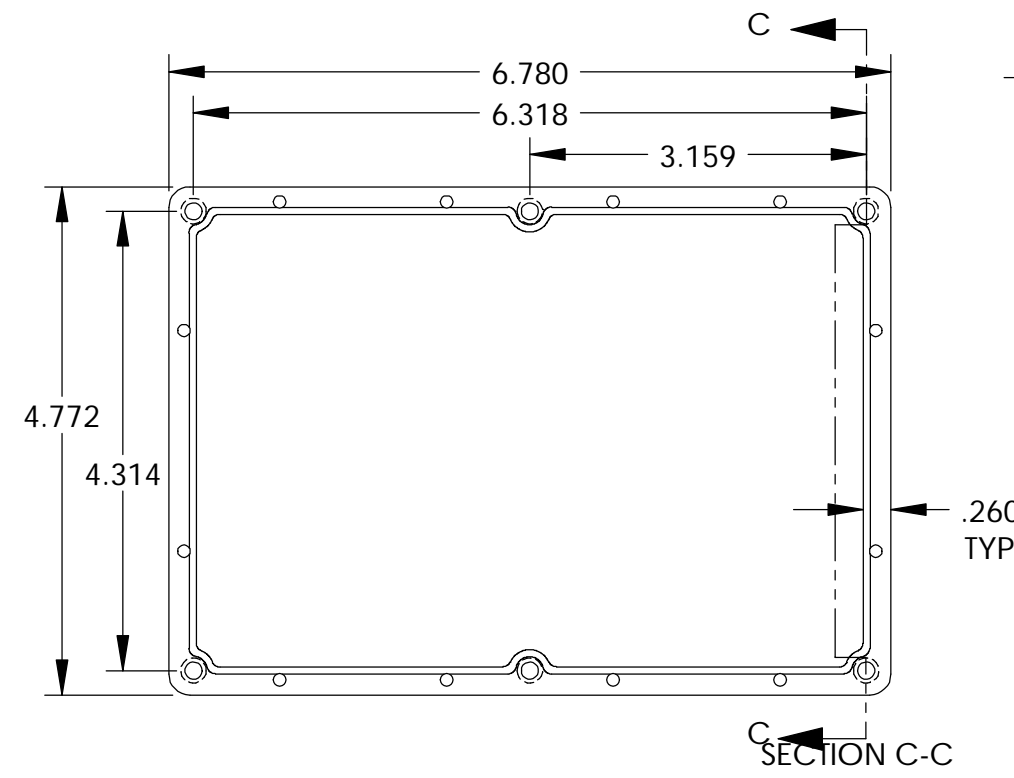
ALL HOLE DIAMETERS HAVE ±.005 TOLERANCE.
 ALL OTHER DIMENSIONS HAVE ±.015 TOLERANCE.
 ENCLOSURES ARE SHIPPED UNASSEMBLED WITH ALL ITEMS SHOWN.



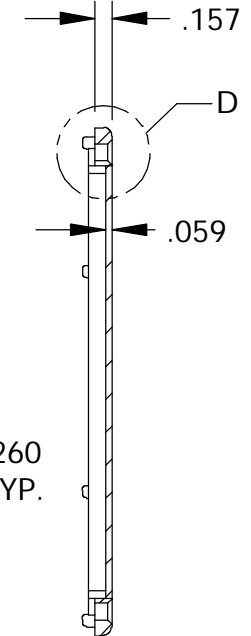
DETAIL D
SCALE 6 : 1



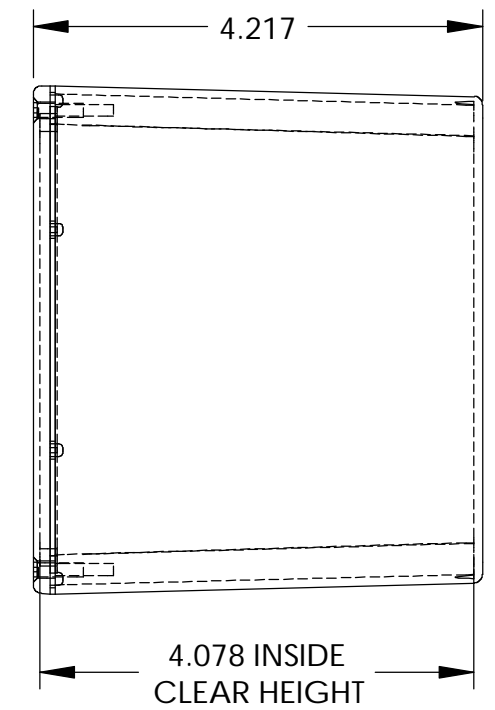
SECTION A-A



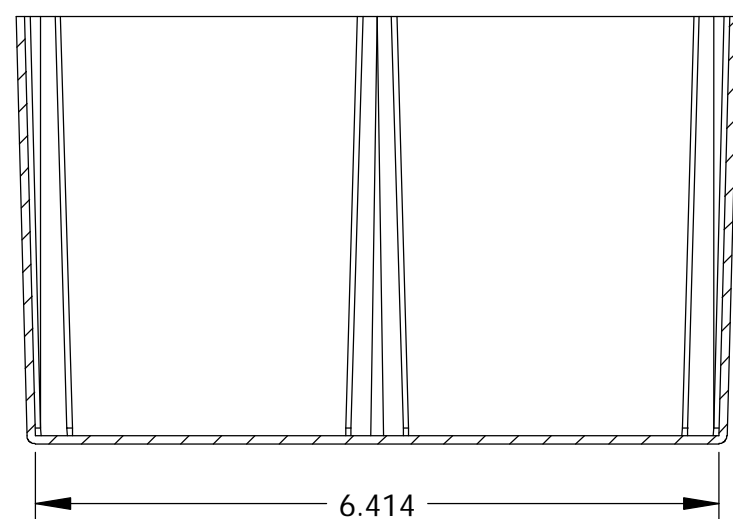
COVER



SECTION C-C



BODY



SECTION B-B

PARTS LIST		BUD INDUSTRIES INC.	
APPROVALS	DATE	DIE CAST ALUMINUM ENCLOSURE	
DRAWN: DAB	3-31-06		
CHECKED:		DWG. NO. CN-5710	
APPROVED:			
FINISH: AS NOTED	DO NOT SCALE DRAWING	SCALE: C	SHEET 1 OF 1

QTY.	USED ON